

Introduction

Fulham's **elitedali**™ MultiSensor11 DALI network, miniature, flush mounted, PIR passive infrared (PIR) motion sensor and photocell designed to be part of a DALI network.

Functioning as a presence detector, the unit returns occupancy data to the DALI network.

The photocell provides a lux level measurement value to the DALI network.

A selection of fixing clips to allow the unit to be mounted in or to the side of a luminaire are available.

This unit is manufactured and especially configured to work with Fulham's **elitedali** for Niagara AX® & N4® software enabling seamless IoT connectivity.

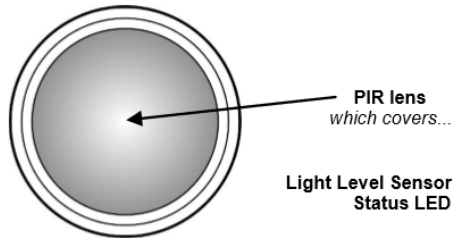


This highly compact DALI MultiSensor offers daylight-dependent control and presence detection. With its built-in intelligence and used with Fulham's **elitedali** product, it enables a Tridium Niagara Framework® Edge IoT DALI system the important ability to detect movement and to measure the lighting levels. This information when used with **elitedali** for Niagara offers highly automated lighting control including constant light level or daylight harvesting, maximising the use of natural light to minimise expense of energy to achieve required light levels. Further as part of a native Niagara Framework solution it can share data seamlessly with other non-lighting devices and subsystems both locally and remotely for operational efficiency, continuous optimization, space optimization, analytics and AI applications.

Features

- Miniature size
- Unobtrusive design
- Mounting at heights up to 7m
- Detection range up to 16m at a 7m mounting height
- Ideal for in-fixture mounting applications
- IP40 rated for internal building use
- 5 year warranty

Sensor head



PIR Sensor

Detects movement within the unit's detection range, allowing load control in response to changes in occupancy.

Light Level Sensor

Measures the overall light level in the detection area

Status LEDs

The LED flashes **Red** to indicate the following:

Walk Test LED active	when movement is detected
Valid setting received	

Specifications & Dimensions

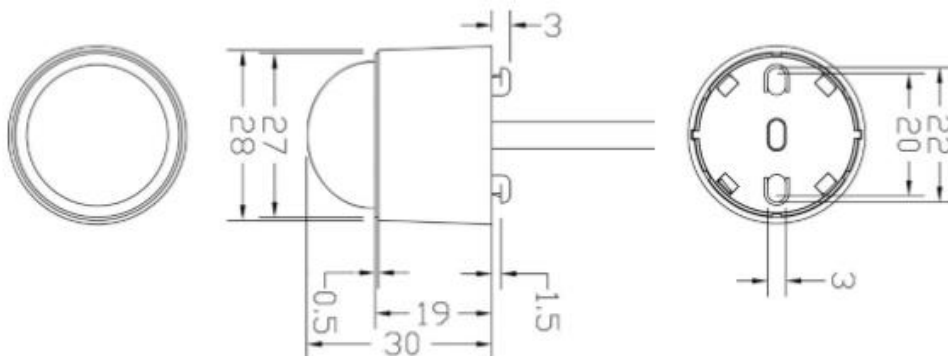
Ideal for integrating into luminaires thanks to its compact design.

Dimensions	See diagrams opposite
Weight	0.10kg
Supply Voltage	9.5VDC—22.5VDC via DALI
Supply Current	8mA
Temperature	-10°C to 35°C
Humidity	5 to 95% non-condensing
Material (casing)	Flame retardant ABS and PC/ABS
Type	Class 2
IP rating	IP40

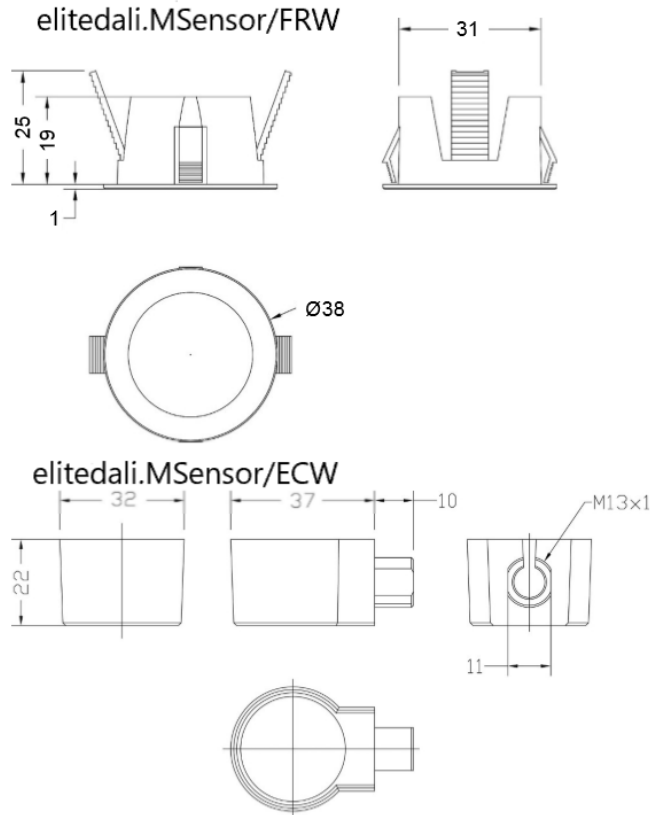


Compliance

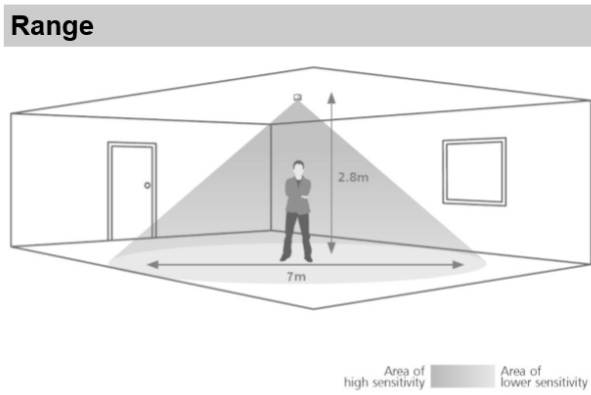
EMC-2004/108/EC
LVD-2006/95/EC



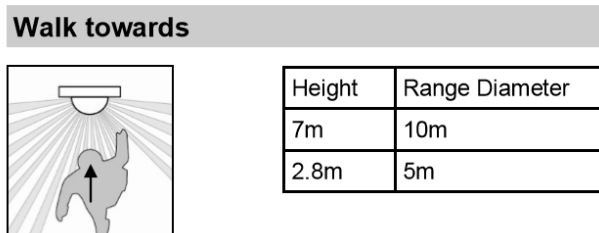
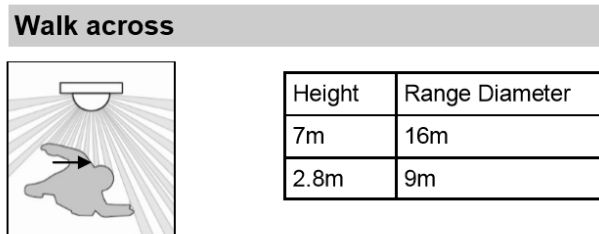
Alternative Mounting Kits



Detection Diagrams



Note: illustration shows an average of the walk across



Installation

Choosing a suitable location:

The detector should be sited so that the occupants of the room fall inside the detection pattern shown above at the recommended ceiling height of 2.8m. Note that the lower the sensor is installed the smaller the detection range becomes, subject to the parameters shown above. It is also important to –

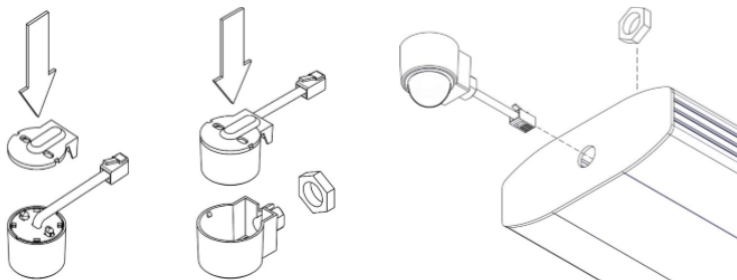
- Avoid direct sunlight entering the sensor
- Note to place within 1m of forced air heating or ventilation
- Do not fix to a vibrating surface
- Do not exceed maximum DALI network cable length
- Do not exceed maximum DALI bus power loading of the DALI power supply

Surface mounting

Use the lugs on rear of detector to secure into thin sheet metal (1mm max.).

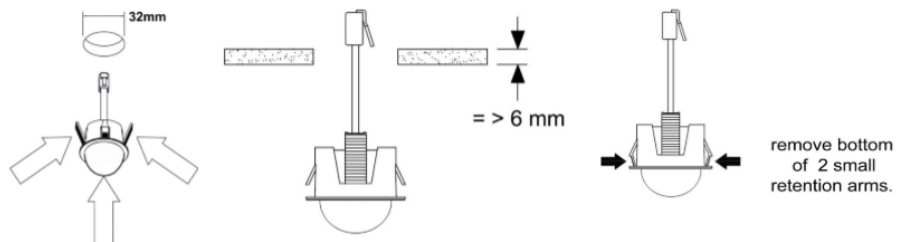


Side mounting



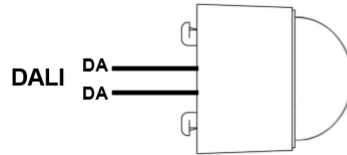
Flush mounting

The product can be mounted using the flush mount ring as shown. If flush mounting in a material that is greater than 6mm thick, remove bottom of retention arms with side cutters. A 32mm diameter hole will be required to mount the flush mount ring.



Wiring

The elitedali.Msen11 is supplied with two (2x) 1m wires to connect to the DALI network. The device wiring is polarity insensitive.



Application Example



IMPORTANT NOTICE

This device must be installed by a qualified electrician in accordance with all locally enforced regulations and codes!

Order Details

Model Number	Description
elitedali.MSen11	IP40 Miniature DALI MSensor
elitedali.Msensor/FRW	Miniature PIR head flush ring - white
elitedali.Msensor/ECW	Miniature PIR head end cap - white

Licensing Options

The **elitedali** MSensors are a Niagara Framework licensed option so it is important that when advising Fulham of how many **elitedali** Connectivity Kits are required to be licensed to a suitable Niagara platform that at the same time Fulham is advised of how many MSensor units need to be licensed to each Niagara AX or N4 platform.

Additional **elitedali** compatible DALI products are also available, [click here](#) for more details.

Contact Details

Fulham Co., Inc

Unit 9b, Intec 2, Intec Business Park, Wade Road,
Basingstoke, Hampshire, RG24 8NE, UK

Company Number: 09926697

Tel: +44 (0) 1256 818700

Email: sales.uk@fulham.com

Web: <http://www.fulhamcontrols.com>

Twitter: twitter.com/elitedali

LinkedIn: [elitedali for Niagara AX Group](#)

eLighting, **elitedali**, eDIM, CeP, elitedali, CeP and eDIM are the trademarks of Fulham's lighting control family of products and solutions for Tridium's Niagara Framework platforms. Tridium, Niagara AX, Niagara4, JACE and Niagara AX Framework are the registered trademarks of Tridium Inc. DALI is the registered trademark of the DiiA Standards organisation.

No part of this publication may be reproduced or transmitted in any form or by any means, electronic, mechanical, photocopying, recording, in part or in whole, without written prior permission of Fulham. We reserve the right to make changes without notice to any products herein as part of its continued product development and improvements. We do not assume any liability arising out of the application or use of any product or circuit described herein.