

elitedali™ - for Niagara

smart lighting controls

www.elitedali.com

elitedali DALI Hi-Power Field Relay Datasheet

Introduction

CNS's elitedali Hi-Power Relay unit is manufactured by Coopers/Fifth Light Technology Inc., for the North American market and is available for use with **elitedali** Multidrop for Niagara solution, version v2.0.6 and later.

This addressable field relay provides on/off control and DALI network connectivity in order to conserve energy and effectively manage non intelligent lighting loads such as architectural and other external lighting as part of a complete Niagara smart lighting control and management solution. Simply connect to the integrated Digital Addressable Lighting Interface (DALI) bus to control daily operating cycle of non-intelligent lighting or other miscellaneous loads.



HALOGEN

FLUORESCENT

HID

LED



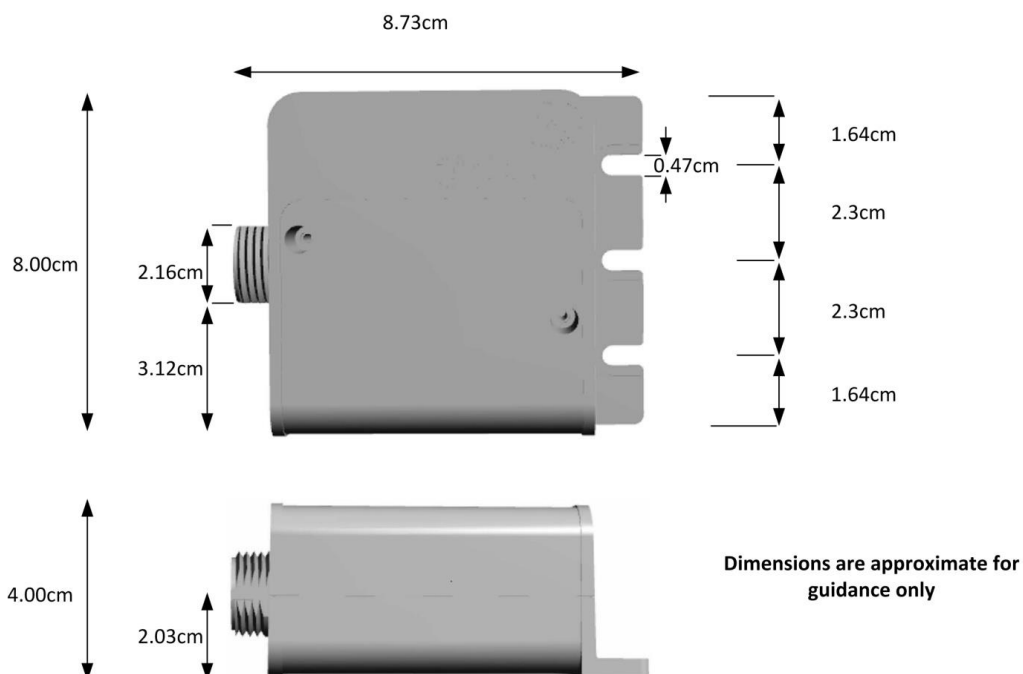
elitedali DALI Hi-Power Field Relay Datasheet

Features

- ◆ Licensed option on a per JACE/Niagara platform basis
- ◆ Integrated DALI communication interface (can be run in the same conduit as power lines)
- ◆ DALI interface only draws 3.75 mA allowing the maximum number of devices (64) to be connected to the DALI bus without exceeding the maximum current (250 mA) limitation
- ◆ Universal Voltage Input (120 V - 347 V)
- ◆ Output power (347 V/20 A)
- ◆ Automatic loss of power detection defaults relay to closed (on) position
- ◆ 3 year standard warranty

Specifications

Mechanical



DIMENSIONS (MM)

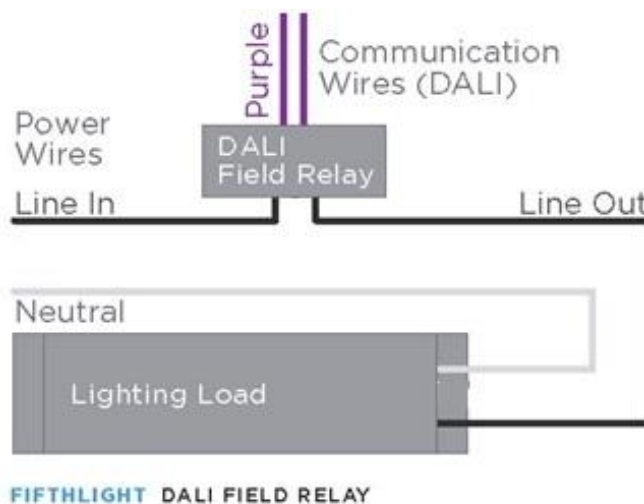
elitedali DALI Hi-Power Field Relay Datasheet

Electrical

Maximum AC Switching Voltage:	347 V
Maximum Switching Current:	20 A
Rated Number of Switches:	1,000,000
DALI Current Draw:	3.75 mA
DALI Input Voltage:	9.5 V - 22.5 V
Ambient Temperature:	0°C to 70°C

User Information

Electrical Connections



STANDARDS

- CSA C22.2 No. 0-M91 (R2001) - General Requirements Canadian Electrical Code, Part II
- CSA C22.2 No. 14-05 -Industrial Control Equipment
- ANSI/UL Std No. 508 -Industrial Control Equipment

IMPORTANT NOTES:

- **Install in accordance with all applicable National and Local electrical & building codes and regulations.**
- **Specifications subject to change without notice.**

elitedali DALI Hi-Power Field Relay Datasheet

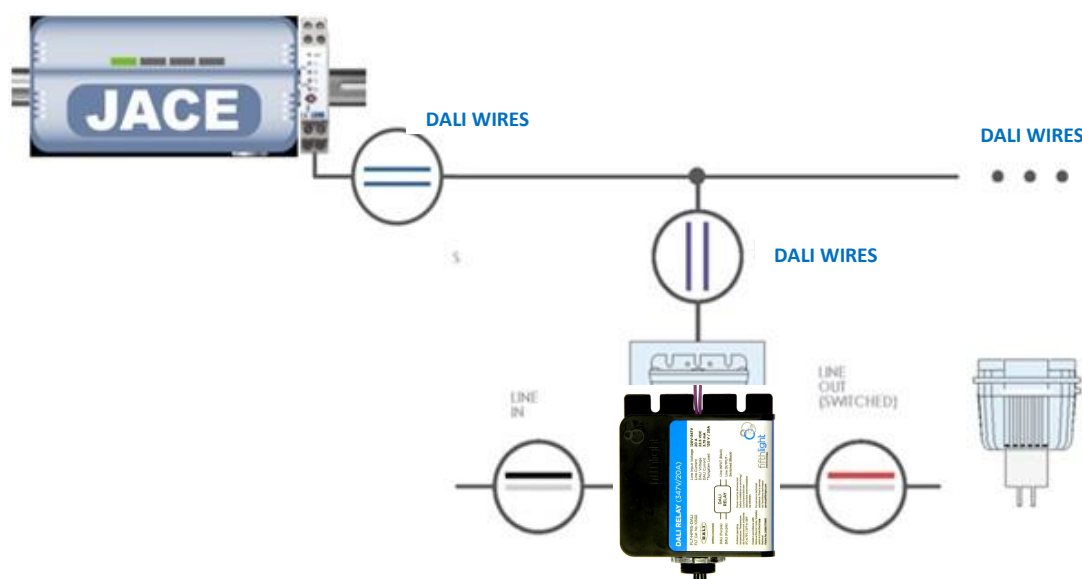
EMERGENCY DEFAULT

The DALI Hi-Power Field Relay defaults to the closed (on) position when power is lost to its DALI communication bus. To use the DALI Field Relay with emergency lighting fixtures, connect the DALI network power supply to the non-emergency power supply and connect the power wires of the Field Relay to an emergency power supply. When power is lost to the non-emergency power supply, the DALI Field Relay will detect the loss of voltage on the DALI communication bus and will automatically close the relay. As emergency power is initiated, current will flow through the DALI Field Relay and to the emergency lighting fixtures. Users will not be able to turn the Field Relay off until normal power is resumed.

Relay DALI Communication Interface

The Digital Addressable Lighting Interface (DALI) is the international standard lighting communication protocol. It allows for a variety of lighting devices to be networked together on a common communication network. Run DALI wires with power wires in the same conduit or modular wiring to minimise installation costs. DALI wires are 18 AWG or larger, non-polarized, non-twisted, non-shielded and have a maximum length of 300 m. A maximum of 64 devices can be connected to a DALI bus subject to maximum DALI network power load of 250mA.

Each relay represents one of the 64 available DALI addresses applied by the native Niagara **elitedali** addressing tool.



elitedali DALI Hi-Power Field Relay Datasheet

Order Details

Description:

elitedali High Power DALI Relay Module

Part No:

elitedali.HPRS

Additional **elitedali** compatible DALI products are also available, [click here](#) for more details.

Contact Details

Control Network Solutions Ltd

Studio 7, Intec 2, Intec Business Park, Wade Road
BASINGSTOKE,
Hampshire, RG24 8NE, England

Tel: +44 (0) 1256 818700
Fax: +44 (0) 1256 812520
Email: Sales@control-network-solutions.co.uk
Web: elitedali.com
Twitter: twitter.com/elitedali
LinkedIn: [elitedali for Niagara AX Group](#)

eLighting, **elitedali**, **eDIM**, **CeP**, elitedali, CeP and eDIM are the trademarks of Control Network Solutions lighting control family of products and solutions for Tridium's Niagara Framework platforms. Tridium, Niagara AX, Niagara4, JACE and Niagara AX Framework are the registered trademarks of Tridium Inc. DALI is the registered trademark of the DALI.ag.org Standards organisation.

No part of this publication may be reproduced or transmitted in any form or by any means, electronic, mechanical, photocopying, recording, in part or in whole, without written prior permission of Control Network. We reserve the right to make changes without notice to any products herein as part of its continued product development and improvements. We do not assume any liability arising out of the application or use of any product or circuit described herein.