

## Introduction

Fulham's **elitedali™** MSensor8 is a PIR presence detector and photocell designed to be part of a DALI network. It has been specifically designed for mounting onto a batten style luminaire allowing retrofit upgrades to existing lighting systems. The unit is IP65 rated and are therefore suitable for outdoor use as well as wet and wash-down areas.

Functioning as a presence detector, the unit returns occupancy data to the DALI network. The photocell provides a lux level measurement value to the DALI network.

A selection of fixing washers are supplied to aid attachment to a variety of luminaire types.

This unit is manufactured and especially configured to work with Fulham's **elitedali** for Niagara AX® & N4® software enabling seamless IoT connectivity.

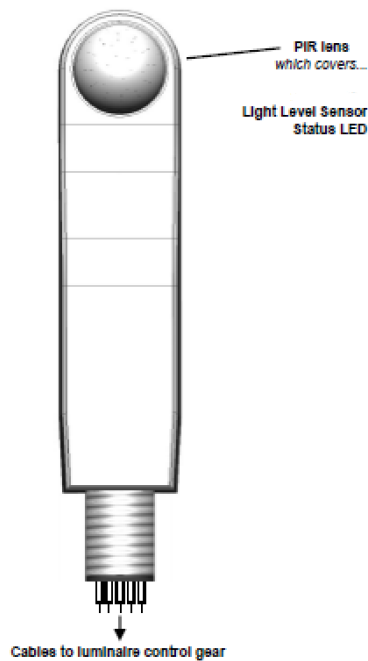


This highly compact DALI MultiSensor offers daylight-dependent control and presence detection. With its built-in intelligence and used with Fulham's **elitedali** product, it enables a Tridium Niagara Framework® Edge IoT DALI system the important ability to detect movement and to measure the lighting levels. This information when used with **elitedali** for Niagara offers highly automated lighting control including constant light level or daylight harvesting, maximising the use of natural light to minimise expense of energy to achieve required light levels. Further as part of a native Niagara Framework solution it can share data seamlessly with other non-lighting devices and subsystems both locally and remotely for operational efficiency, continuous optimization, space optimization, analytics and AI applications.

## Features

- ▶ Batten mount retrofit system
- ▶ IP65 rated
- ▶ Movement detection up to 7 metres high
- ▶ Suitable for a wide range of luminaires
- ▶ Supplied with comprehensive fitting kit
- ▶ 1m cable length
- ▶ 5 year warranty

Front view



**PIR Sensor**

Detects movement within the unit's detection range, allowing load control in response to changes in occupancy.

**Light Level Sensor**

Measures the overall light level in the detection area



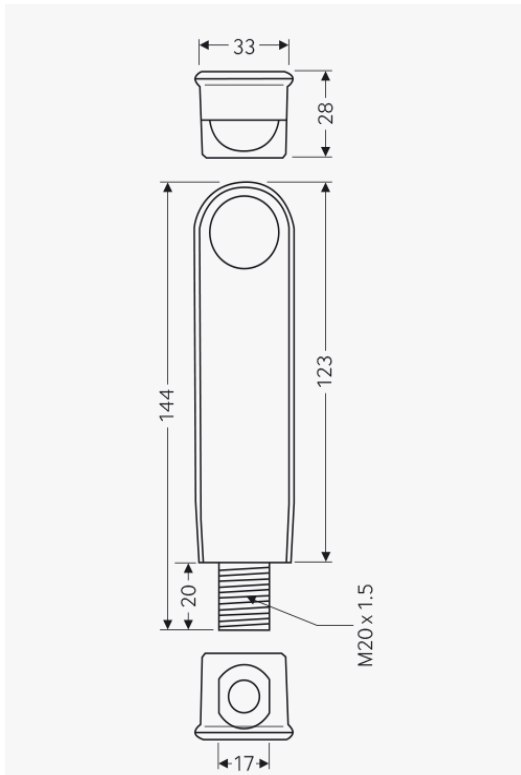
Special order version that can be used down to -30°C

## Specifications & Dimensions

### Technical data

Dimensions	See diagrams on page 1
Weight	0.10kg
Supply Voltage	9.5VDC—22.5VDC via DALI
Supply Current	8mA
Terminal Capacity	2.5mm <sup>2</sup> (solid or stranded)
Material (casing)	Flame retardant ABS and PC/ABS
Temperature	elitedali.MSen8 -10°C to 35°C elitedali.MSen8/LT-30 -30°C to 35°C
Humidity	5 to 95% non-condensing
Material	Flame retardant ABS/PC
IP rating	Type Class 2 IP65
Compliance	EMC-2014/30/EU LVD-2014/35/EU

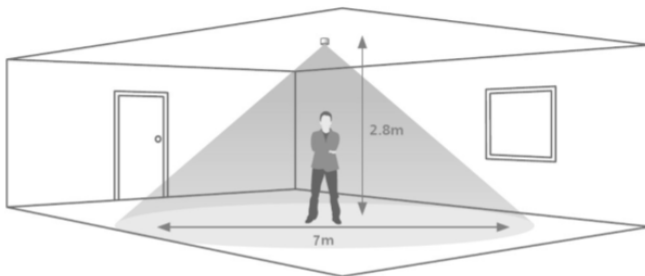




Dimensions are in millimeters

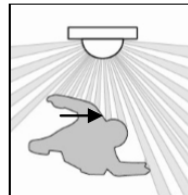
## Detection Diagrams

### Range



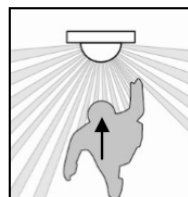
Note: illustration shows an average of the walk across

### Walk across



Height	Range Diameter
7m	16m
2.8m	9m

### Walk towards



Height	Range Diameter
7m	10m
2.8m	5m


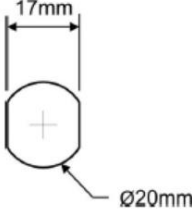




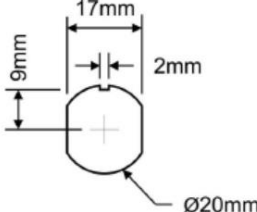
## Wiring

The elitedali.MSen8 is supplied with two (2x) 1m wires to connect to the DALI network. The device wiring is polarity insensitive.

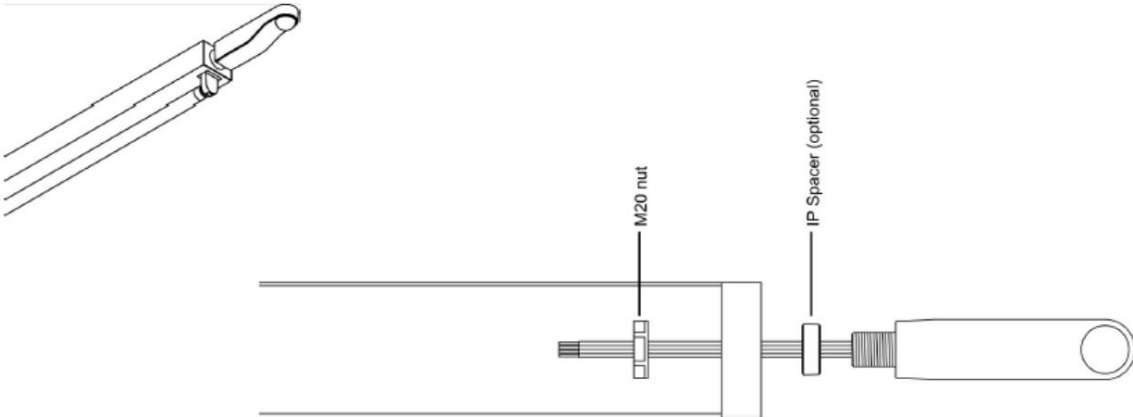


## Installation

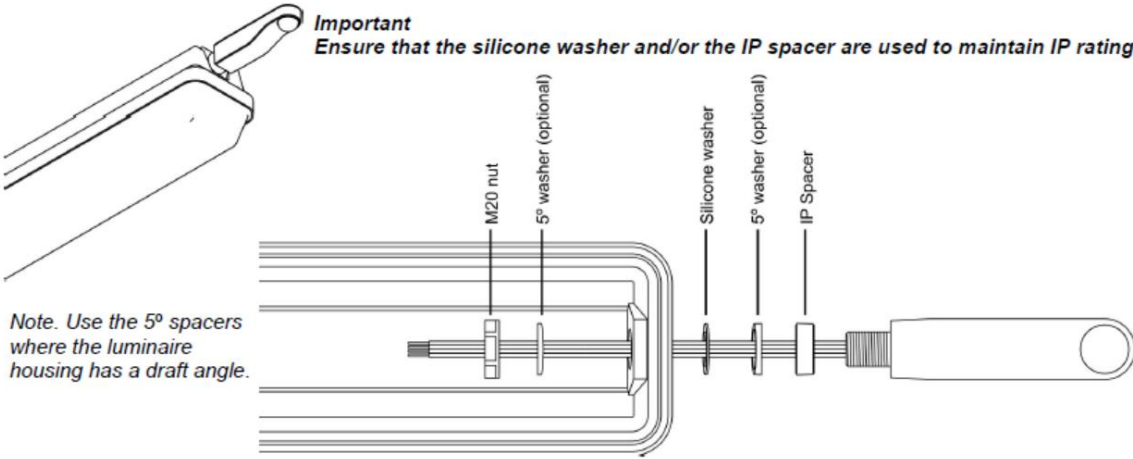
**Important:** Do not grip unit at the lens end. Hold the square body near the threaded end when installing and tightening the nut. Care must be taken to prevent damage to the lens and surrounding IP seal.

Components			Mounting hole without key	
	Part	Quantity Supplied		
	IP Spacer with silicone coating	1		
	Silicone washer	1		
	5° washer	1		
	5° spacer	1		
	M20 nut	1		
			Mounting hole with key	
				<i>Note. Key to be at top of sensor.</i>

### Standard luminaire fitting



### IP luminaire fitting



## Application Example



### IMPORTANT NOTICE

**This device must be installed by a qualified electrician in accordance with all locally enforced regulations and codes!**

### Order Details

Model Number	Description
elitedali.MSen8	IP65 Miniature DALI MSensor
elitedali.MSen8/LT-30	Extra low operating temperature version

### Licensing Options

The **elitedali** MSensors are a Niagara Framework licensed option so it is important that when advising Fulham of how many **elitedali** Connectivity Kits are required to be licensed to a suitable Niagara platform that at the same time Fulham is advised of how many MSensor units need to be licensed to each Niagara AX or N4 platform.

Additional **elitedali** compatible DALI products are also available, [click here](#) for more details.

## Contact Details

### Fulham Co., Inc

Unit 9b, Intec 2, Intec Business Park, Wade Road,  
Basingstoke, Hampshire, RG24 8NE, UK

Company Number: 09926697

Tel: +44 (0) 1256 818700

Email: [sales.uk@fulham.com](mailto:sales.uk@fulham.com)

Web: <http://www.fulhamcontrols.com>

Twitter: [www.twitter.com/elitedali](http://www.twitter.com/elitedali)

LinkedIn: [elitedali for Niagara Group](#)

eLighting, **elitedali**, **eDIM**, **CeP**, **elitedali**, **CeP** and **eDIM** are the trademarks of Fulham's lighting control family of products and solutions for Tridium's Niagara Framework platforms. Tridium, Niagara AX, Niagara4, JACE and Niagara AX Framework are the registered trademarks of Tridium Inc. DALI is the registered trademark of the DiiA Standards organisation.

No part of this publication may be reproduced or transmitted in any form or by any means, electronic, mechanical, photocopying, recording, in part or in whole, without written prior permission of Fulham. We reserve the right to make changes without notice to any products herein as part of its continued product development and improvements. We do not assume any liability arising out of the application or use of any product or circuit described herein.