

elitedali™ - for Niagara

smart lighting controls

www.elitedali.com

elitedali Connectivity Kit/N4 Datasheet

Introduction

elitedali™
smart lighting controls

elitedali Multidrop for Niagara, is the only web based smart IoT solution, globally available today, for smart lighting controls based upon DALI®. It transforms any suitable building Management System (BMS) controller running Tridium's Niagara Framework® technology into a smart IoT convergent lighting commissioning and control product. It enables such platforms running **elitedali** to have all the functionality necessary to allow the commissioning, control, management, monitoring, analytics and big data cloud based connectivity of any intelligent addressable DALI light fixtures, in real-time, from anywhere.



DALI (Digital Addressable Lighting Interface) is the only international interoperable open published dedicated communication and control standard (IEC 62386) for intelligent lighting solutions.

This all that is required to simply connect DALI lighting networks directly to smart IoT Building Management and Control multi-vendor platforms that use Tridium's Niagara Framework®, and be delivered, operated and maintained by suitably qualified Niagara System Integrators (SI) known as Certified **elitedali** Partners (CeP™)

elitedali Connectivity Kit/N4 Datasheet

Fulham's **elitedali** Connectivity Kit/N4 version is part of Fulham's Niagara DALI lighting commissioning, control, maintenance and management products and solutions.

For more details on the entire **elitedali** product and solution range visit www.elitedali.com.

Features

Each licensed **elitedali** Connectivity Kit/N4 enables -

- The connection of a single DALI channel, circuit or network of up to 64 DALI® devices
- Seamless connectivity between any Niagara4 platform, DALI, analytics and big data cloud applications
- Full real-time Commissioning, Control, Maintenance, Management and Analytics of DALI networks and devices that conform to the open DALI standard from within Niagara4.
- Up to **4** x **elitedali** Connectivity Kits can be connected per single RS-485 JACE serial port*
- Up to **24** x **DALI networks** can be physically connected to a single JACE*
- Potential maximum of **1,536** open standard DALI devices manageable by a single JACE*
- Expandable across multiple JACES for large scale DALI lighting networks

***NB: Subject to available computing resources on the chosen Niagara4 platform/'s installed to meet specific application requirements.**

WARNING: elitedali must only be installed and commissioned by suitably qualified Engineers and Technicians for more information on how to become a Certified elitedali Partner (CeP™) visit www.elitedali.com.

elitedali Connectivity Kit/N4 Datasheet

Benefits of Niagara Lighting Controllers with elitedali

Lower cost of installation –

Less hardware, leveraging N4 platform lower costs, better utilisation & ROI.

Simpler network architecture –

Less to go wrong, less parasitic power consumption, more sustainable.

Easier & faster to commission –

Familiar Niagara environment, tools and methods, highly automated, easier to support and maintain, NO mapping, labelling or enumeration checking required, full DALI device addressing capability supported. Reduced commissioning time by up to 50%+. Library of lighting control components further reduces commissioning time and risk.

Future Proof –

Open standards based, highly vendor independent, multiple suppliers & installers Globally.

Total Integration –

Seamless native Niagara DALI solution guaranteeing total integration with all other sub-systems connected to the Niagara Framework, offering better user experience, lower energy costs and less equipment.

Seamless access to real-time data –

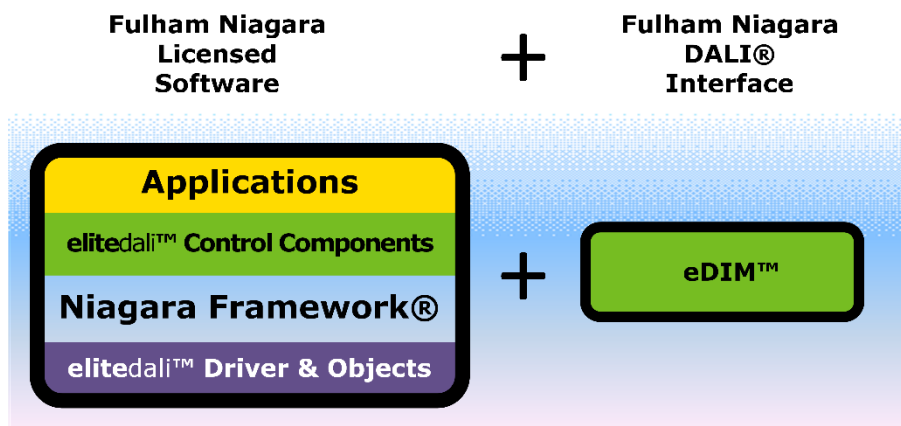
Enables complete control and management of assets in real-time both locally and remotely via smart mobile and cloud based tools.

Health & Wellness Application ready –

Light fixtures that allow colour control, tuneable white control can be used and control strategies adapted to meet latest scientific research at anytime.

elitedali Connectivity Kit/N4 Datasheet

The **elitedali** Connectivity kit/N4 seamlessly connects DALI networks directly to any suitable Niagara4 platform, such as a **JACE™8K**, via its RS-485 serial port and comprises:-



Each elitedali* Connectivity Kit consists of-

- 1 x Licensed instance of Niagara **elitedali** software comprising –
 - Native Niagara DALI interface driver software, device modelling, addressing and commissioning tools
 - Niagara smart lighting controls “kitcontrol” components library
- 1x DALI Interface Module (**eDIM™**) for open Interoperable Standard DALI devices
- Full documentation including User and Reference manuals

Enables the full addressing, commissioning, control, management, visualisation and analytics of one DALI network of up to 64 DALI devices.



***elitedali** strictly conforms to the current published DALI IEC 62386 Open standard

elitedali Connectivity Kit/N4 Datasheet

elitedali Kit/N4 comprises:-

All the basic components required to commission, control, maintain and manage a single 64 device open standard DALI network connected to a Niagara platform constituting the Building Control, Management, Automation or Energy solution.

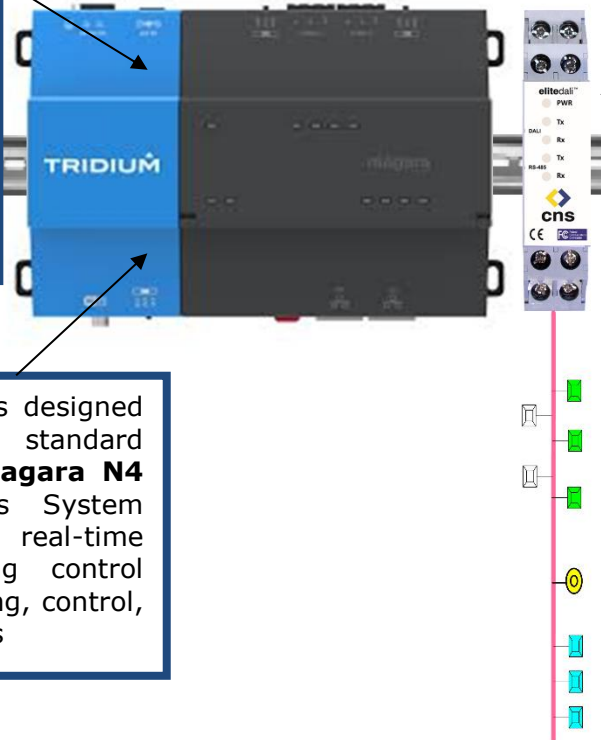
DALI native Niagara N4 software lighting Control Components including:-

- Constant Light
- Corridor Hold
- Switching & Dimming
- Absence Detect

A full list is available on request.

DALI Serial Interface is designed and implemented as a standard device network in the **Niagara N4 Framework** and allows System Integrators seamless, real-time access to DALI lighting control networks for commissioning, control, management and analytics

The physical connection between a **Niagara N4** platform and a **DALI** lighting channel is achieved using **Fulham's elitedali Interface Module (eDIM)** seamlessly connects a single DALI network to an RS-485 serial port.



elitedali may be installed on a single Niagara4 controller or across many Niagara controllers.

elitedali Connectivity Kit/N4 Datasheet

elitedali DALI® Driver Software Specification

- Native Niagara driver for Niagara4 version 4.1 onwards
- Uses device modelling so **NO** I/O mapping, labelling or enumeration checking required
- Standard functions such as creating new devices, adding devices, device discovery and matching devices are all included
- Enhanced functionality has been included specifically for the management of DALI networks.
- Utilises familiar Niagara methods and tools for addressing, discovery, logging alarming, scheduling etc..
- Seamless access to all DALI device data for big data cloud base applications
- Capability to create simple and complex control strategies for a DALI lighting system via specific lighting control components "kitcontrol" library, offering many pre-written and packaged software components, each with its own datasheet.
- Integrates with all Niagara services including but not limited to reporting, tagging, scheduling, alarming etc..
- Supports a full 64 Open Standard DALI IEC 62386 devices on a single DALI network
- User information is fully documented and supplied with the licensed software

elitedali Connectivity Kit/N4 Datasheet

elitedali Lighting Control Component Software

Included with every **elitedali** Connectivity Kit is a “kitControl” library of licensed software control components. This allows a suitably qualified System Integrator quickly, simply and reliably to create lighting control strategies that reduce energy usage and create a modern comfortable environment.

Some additional examples of software control components are shown below –

Control Component Name

- ✦ Constant Light Controller Direct
- ✦ Constant Light Controller with Override
- ✦ Meeting Room Constant Light Controller
- ✦ Corridor Controller with Boolean Inputs
- ✦ Corridor Controller with Enumerated Inputs
- ✦ Dimming Absence Controller
- ✦ Scene Selection Controllers
- ✦ Absence Detect Controller with Switching
- ✦ Switch Input Decay Timer Controller
- ✦ Switch Input Dimming Controller

These components enable the System Integrator to reliably build complex highly granular control strategies quickly and simply. Thus, enabling Estate Managers, Building Supervisors, Facilities Managers, Clients and Users to manage their own environment both locally and remotely via any suitable interface including smart mobile. Additional licenses to add more software control components can be ordered separately, where more complex lighting systems are to be controlled.

These Software Control Component libraries are regularly being updated so the above is just an indication of the capability **elitedali** offers, in simplifying both commissioning and control strategy creation.

Contact Fulham for additional details.

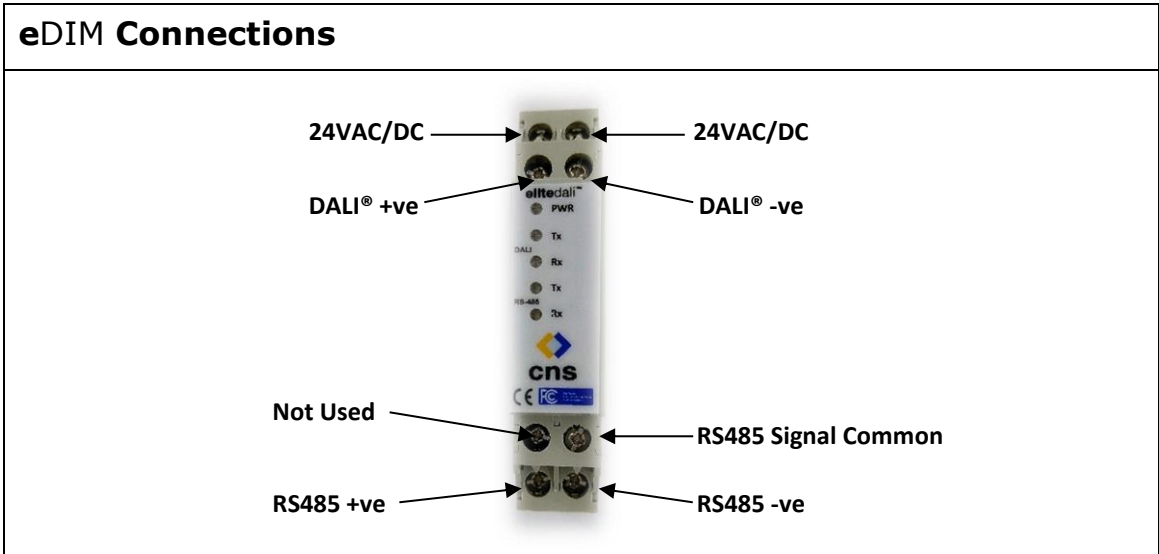
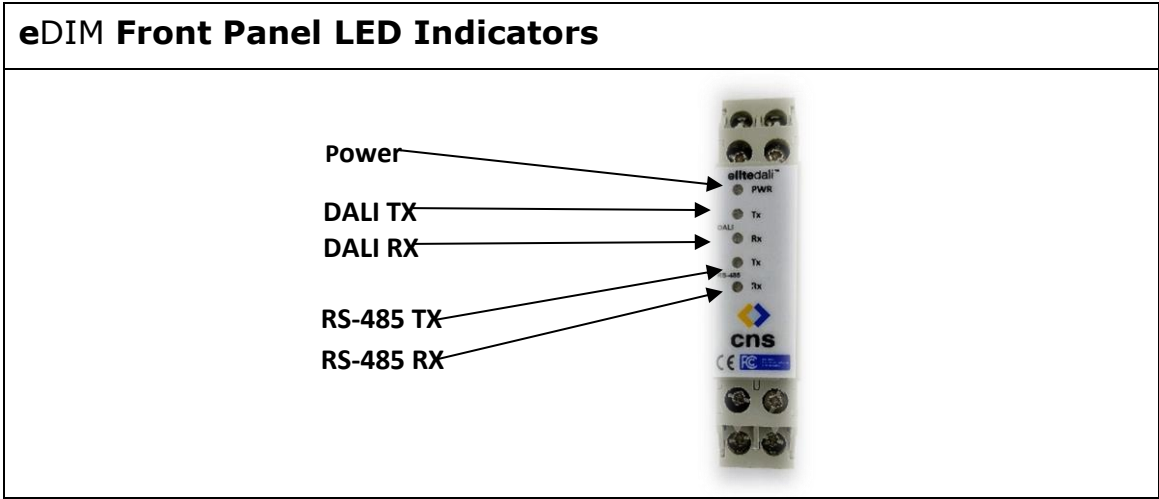
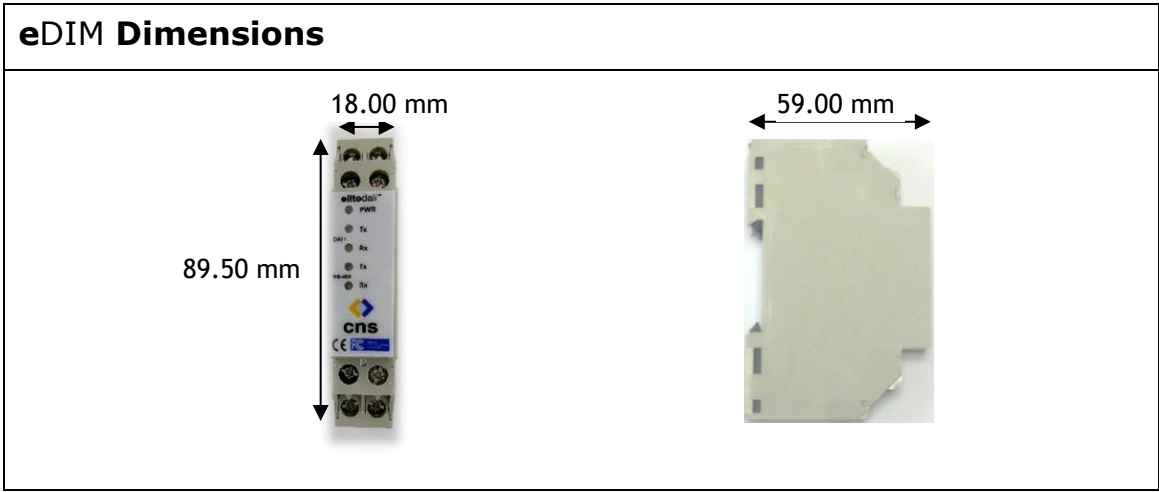
elitedali Connectivity Kit/N4 Datasheet

elitedali Connectivity Kit Hardware Specifications

elitedali DALI® Interface Module(eDIM)

Technical Data –Electrical	
Supply Voltage	24V AC/ DC, ±10%
Isolation	3KV
Power consumption	40mA mN4imum @ 24VDC
DALI network must be operating via an independent suitable DALI power supply source	9.5 V to 22V DC
Serial Connection	Standard 3- Wire RS-485, 100cm mN4imum
Serial Network Termination	Available Option on Request
Technical Data –Environmental	
Operating temperature range	0..+50 °C
Storage temperature range	-20...+85 °C
Relative humidity	5...90 % rel. annual average (non-condensing) (pollution degree1)
Environmental protection	*IP 54 (housing)
Technical Data –Mechanical	
Mounting	DIN rail, type NS35/17.5 (35mm x 17.5mm)
Screw Terminal Torque Settings	0.5 to 0.7Nm MN4imum
Serial network connection	3 x Polarity dependent Screw Terminals 0.2...2.5 mm ² (stranded), 0.2...4.0 mm ² (solid)
DALI Network connection	2 x Polarity independent screw terminals, 0.2...2.5 mm ² (stranded), 0.2...4.0 mm ² (solid)
24V AC/DC module power connection	2 x Polarity independent screw terminals, 0.2...2.5 mm ² (stranded), 0.2...4.0 mm ² (solid)
Conformity & Standards	
CE	
FCC	

elitedali Connectivity Kit/N4 Datasheet



elitedali Connectivity Kit/N4 Datasheet

Certified elitedali Partners (CeP™)

elitedali products and solutions are only available to certified Niagara Community partners who also become Certified **elitedali** Partners (CeP). For more information about becoming a CeP please go to the **elitedali** website www.elitedali.com or contact us directly.

Order Details

Description:

- elitedali Connectivity Kit /N4
- Licensed software Upgrade Pack

Part No:

- elitedali-DCK/M/N4
- elitedali.LUP/M/N4

Fulham also supplies elitedali DALI compatible Presence, Light level, Relay, Repeater and Power Supply products [click here](#) for more details.

Contact Details

Fulham Lighting Company Ltd

Unit 9b, Intec 2, Intec Business Park, Wade Road
BASINGSTOKE,
Hampshire, RG24 8NE, England

Tel: +44 (0) 1256 818700

Email: sales.uk@fulham.com

Web: elitedali.com

Twitter: twitter.com/elitedali

LinkedIn: [elitedali for Niagara Group](#)

eLighting, **elitedali**, **eDIM**, **CeP**, **elitedali**, **CeP** and **eDIM** are the trademarks of Fulham Co., Inc., lighting control family of products and solutions for Tridium's Niagara Framework platforms. Tridium, Niagara N4, Niagara4, JACE and Niagara N4 Framework are the registered trademarks of Tridium Inc. DALI is the registered trademark of the Digital Illumination Interface Alliance (DiiA) Standards organisation.

No part of this publication may be reproduced or transmitted in any form or by any means, electronic, mechanical, photocopying, recording, in part or in whole, without written prior permission of Fulham Co., Inc.. We reserve the right to make changes without notice to any products herein as part of its continued product development and improvements. We do not assume any liability arising out of the application or use of any product or circuit described herein.