

elitedali™ - for Niagara

smart lighting controls

www.elitedali.com

elitedali MSensor IP65 Enclosure Datasheet

Introduction

CNS's elitedali MSensorIP65/DBB is an IP65 rated enclosure designed to be used as a surface mounted option for detectors.



Features

Features include an IP65 gland enclosure and flame retardant polycarbonate material. The enclosure is supplied with a pre-drilled 64mm hole adapted to accept both [elitedali.MSensor2](#) and [elitedali.MSensor4](#) DALI sensors.

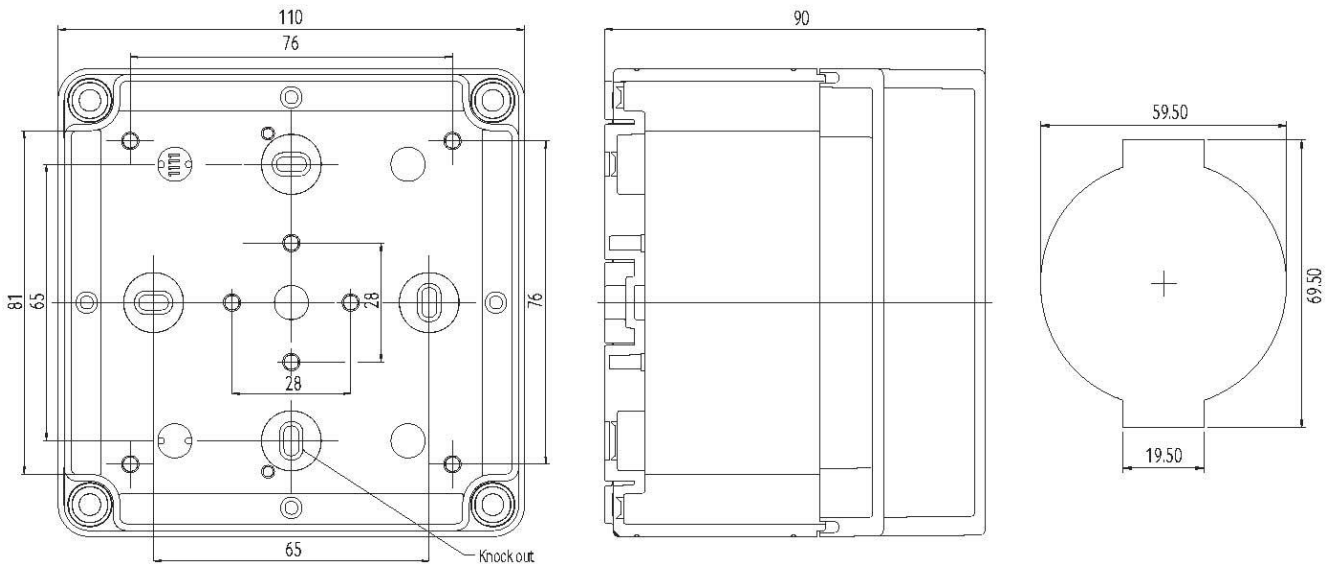
It can be mounted in cold storage areas to temperatures to -30°C. The fully sealed cover will create an excellent water and dust protected enclosure in hazardous areas.

It is supplied with fibreglass reinforced retaining screws which are simple to fit and lock the enclosure.

- ◆ IP65 gland enclosure
- ◆ Pre-drilled 64mm hole
- ◆ 110 x 110 x 90mm
- ◆ M20 knock outs
- ◆ Large cavity for wiring
- ◆ Impact resistant

elitedali MSensor IP65 Enclosure Datasheet

Dimensions



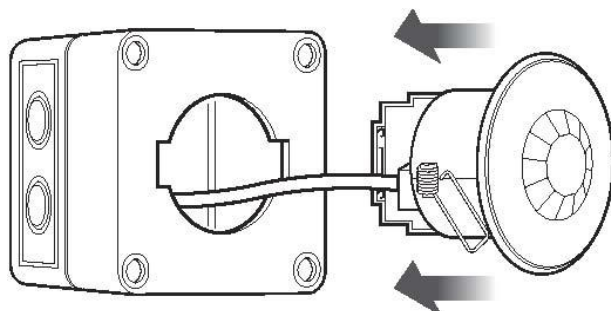
Dimensions in millimetres

Environmental

| | |
|--------------------------|--|
| Temperature range | -30°C to 50°C |
| Material (casing) | Cover, base – Polystyrene Screw – Polyimide 6 |
| Impact Rating | IK07 |
| IP Rating | IP65 |

elitedali MSensor IP65 Enclosure Datasheet

Mounting Instructions



Pull out spring tab and rotate spring arm as shown, then insert into enclosure aperture. Finally rotate MSensor body for location.

Order Details

Description:

Part No:

◆ IP 65 Surface Mount Enclosure

elitedali.MSen4IP65/DBB

Additional **elitedali** compatible DALI products are also available, [click here](#) for more details.

elitedali MSensor IP65 Enclosure Datasheet

Contact Details

Control Network Solutions Ltd

Studio 7, Intec 2, Intec Business Park, Wade Road
BASINGSTOKE,
Hampshire, RG24 8NE, England

Tel: +44 (0) 1256 818700
Fax: +44 (0) 1256 812520
Email: Sales@control-network-solutions.co.uk
Web: elitedali.com
Twitter: twitter.com/elitedali
LinkedIn: [elitedali for Niagara AX Group](https://www.linkedin.com/company/elitedali-for-niagara-ax-group)

eLighting, **elitedali**, **eDIM**, **CeP**, elitedali, CeP and eDIM are the trademarks of Control Network Solutions lighting control family of products and solutions for Tridium's Niagara Framework platforms. Tridium, Niagara AX, Niagara4, JACE and Niagara AX Framework are the registered trademarks of Tridium Inc. DALI is the registered trademark of the DALI.ag.org Standards organisation.

No part of this publication may be reproduced or transmitted in any form or by any means, electronic, mechanical, photocopying, recording, in part or in whole, without written prior permission of Control Network. We reserve the right to make changes without notice to any products herein as part of its continued product development and improvements. We do not assume any liability arising out of the application or use of any product or circuit described herein.