

# elitedali™ - for Niagara

smart lighting controls

[www.elitedali.com](http://www.elitedali.com)

## elitedali MSensor2 Datasheet

### Introduction

CNS's **elitedali** MultiSensor2 combines presence detection with daylight measurement for DALI Open Standards intelligent lighting networks and is a specially licensed option configured to work seamlessly with CNS's **elitedali** Multidrop solutions for Niagara.

The DALI MultiSensor2 offers daylight-dependent control and presence detection. With its built-in intelligence it gives a DALI system the important ability to detect movement in a room and to measure the lighting levels. This information when used with **elitedali** for Niagara offers highly automated lighting control including constant light level or light harvesting maximising the use of natural light to minimise expense of energy to achieve required light levels.

Retractive spring clips enable the sensor to be mounted easily from below within thin perforated-metal ceilings and thicker plaster ceilings while the body incorporates integral cable-retention clips

The intelligent sensor connects to the DALI bus via a rear mounted polarity insensitive terminals.



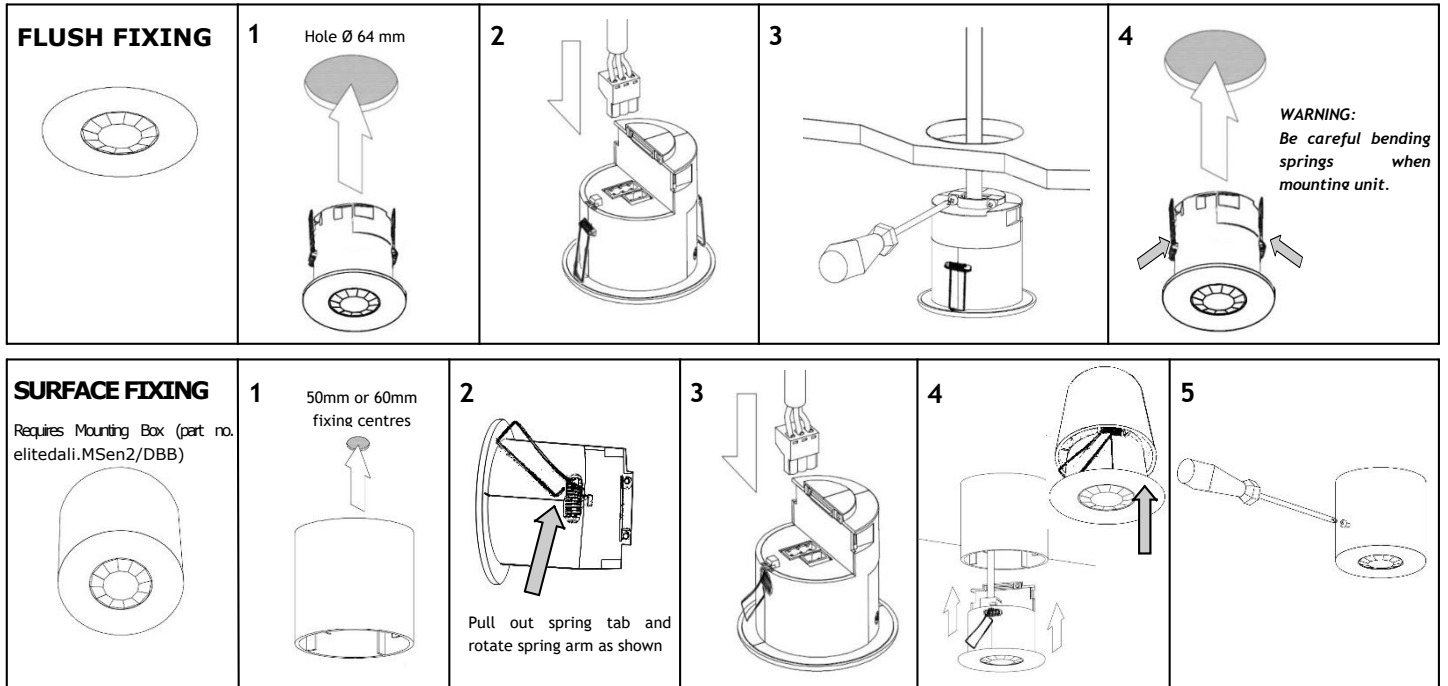
### Features

- ◆ Licensed option on a per JACE/Niagara platform basis, see page 4
- ◆ Fully compatible to be used with any DALI Ballast which conforms to current DALI Open Standards
- ◆ Seamless connectivity, commissioning, control and management via CNS's **elitedali** solutions for Niagara
- ◆ Powered directly from the DALI network with simple fitting and wiring to DALI network
- ◆ Available for two different mounting configurations
- ◆ Detects presence and absence and measures light levels
- ◆ CE, RoHS

## elitedali MSensor2 Datasheet

### Mounting Options

#### Fixing Options



#### Mounting Methods

The Detector is designed to be mounted using either:

- Flush fixing (recommended), or
- Surface fixing, using the optional Surface Mounting Box (part no. elitedali.MSen2/DBB). IP65 version also available [click here](#) to view datasheet.

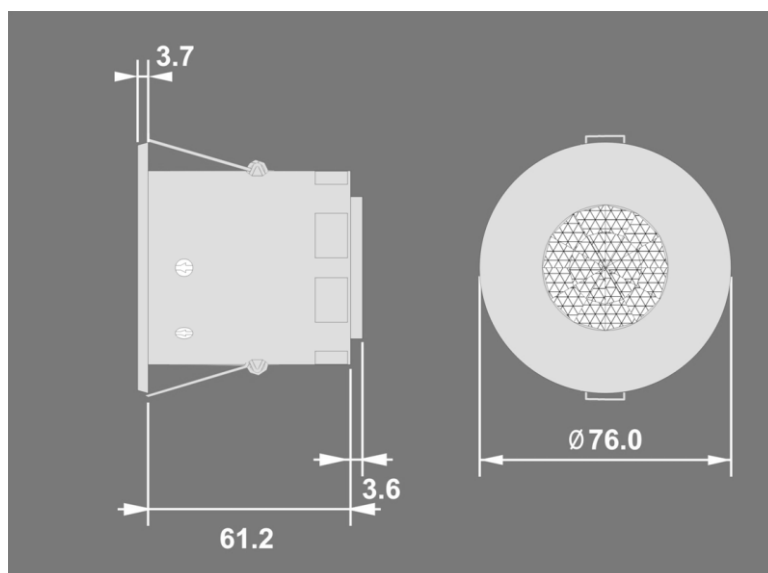


Both mounting methods are illustrated in the above images.

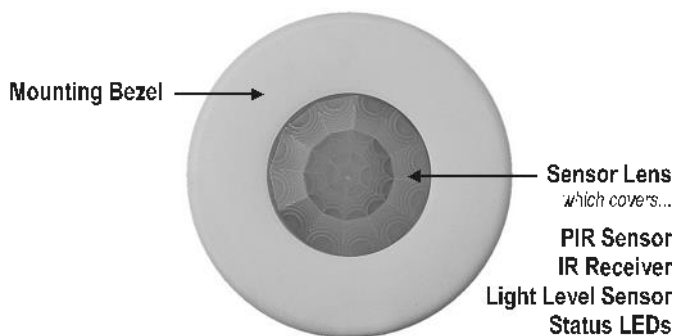
## elitedali MSensor2 Datasheet

### Specifications

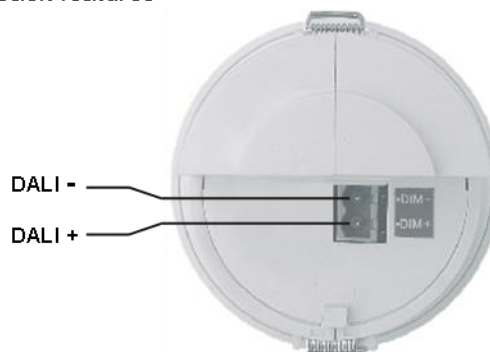
#### Dimensions



#### Front features



#### Back features



Weight:	0.1kg
Supply Voltage:	9.5VDC—22.5VDC via DALI
Supply Current:	8mA
Terminal Capacity:	2.5mm <sup>2</sup> (solid or stranded)
Material (casing):	Flame retardant polycarbonate
Compliance:	EMC-89/336/EEC LVD-2006/95/EC



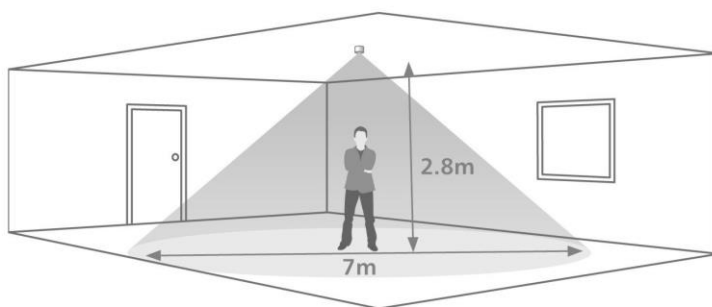
## elitedali MSensor2 Datasheet

### User Information

#### Choosing a Suitable Location

The PIR Detector is designed to be ceiling mounted and must satisfy the following criteria:

- Avoid positioning the unit where direct sunlight may enter the sensor element.
- Do not site the sensor within 1m of any lighting, forced air heating or ventilation.
- Do not fix the sensor to an unstable or vibrating surface.
- Position the sensor so that the occupants of the room fall inside the detection zone. Note that the detection zone illustrated is based on a recommended mounting height of 2.8m. A



Area of high sensitivity  Area of lower sensitivity 

#### Detection Range Table 1

Height (m)	Detection diameter (m)
2.0	5
2.3	5.8
2.5	6.3
2.7	6.8
2.8	7.0
3.0	7.4
3.5	8.6

### Licensing Options

The MSensor2 is a licensed option so it is **important** that when advising CNS of how many **elitedali** Connectivity Kits are required to be licensed to a suitable Niagara platform that at the same time **CNS is advised of how many MSensor2 units need to be licensed to each Niagara platform.**

## elitedali MSensor2 Datasheet

### Order Details

#### Description:

#### Part No:

◆ DALI-MSensor2.....	elitedali.MSen2
◆ DALI-MSensor 2 Surface Mounting Box.....	elitedali. MSen2/DBB

Additional **elitedali** compatible DALI products are also available, [click here](#) for more details.

### Contact Details

#### Control Network Solutions Ltd

Studio 7, Intec 2, Intec Business Park, Wade Road  
BASINGSTOKE,  
Hampshire, RG24 8NE, England

Tel: +44 (0) 1256 818700  
Fax: +44 (0) 1256 812520  
Email: [Sales@control-network-solutions.co.uk](mailto:Sales@control-network-solutions.co.uk)  
Web: [elitedali.com](http://elitedali.com)  
Twitter: [twitter.com/elitedali](https://twitter.com/elitedali)  
LinkedIn: [elitedali for Niagara AX Group](#)

*eLighting*, **elitedali**, **eDIM**, **CeP**, elitedali, CeP and eDIM are the trademarks of Control Network Solutions lighting control family of products and solutions for Tridium's Niagara Framework platforms. Tridium, Niagara AX, Niagara4, JACE and Niagara AX Framework are the registered trademarks of Tridium Inc. DALI is the registered trademark of the DALI.ag.org Standards organisation.

No part of this publication may be reproduced or transmitted in any form or by any means, electronic, mechanical, photocopying, recording, in part or in whole, without written prior permission of Control Network. We reserve the right to make changes without notice to any products herein as part of its continued product development and improvements. We do not assume any liability arising out of the application or use of any product or circuit described herein.