

elitedali™ - for Niagara

smart lighting controls

www.elitedali.com

elitedali Compact DIN DALI Power Supply Datasheet

Introduction

CNS continues to work with all DALI® product manufacturers to ensure the widest range of DALI products is available to the global Niagara community that are suitable for use with **elitedali** for Niagara.

This power supply offers a compact DIN packaged solution. It is fully compatible with the DALI Open standards specification and is designed to provide 230mA of power on a single DALI network.



Features

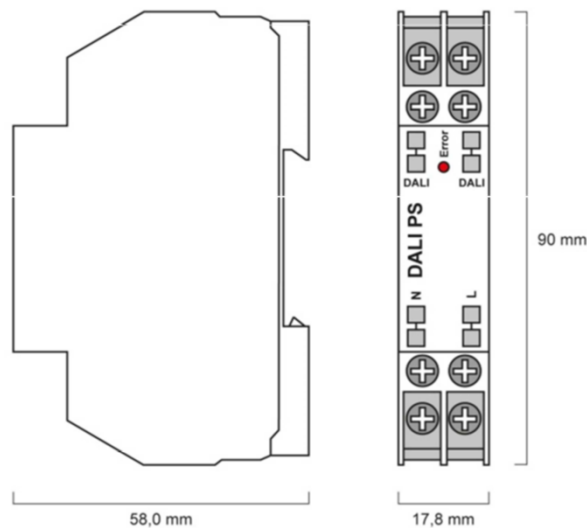
- ◆ Supplies a maximum of 230 mA at 16.0V DC to a single DALI network
- ◆ Short circuit protected
- ◆ Over temperature protected
- ◆ DIN rail mounted
- ◆ Compact design only 18mm, 0.7" wide
- ◆ Mains Input power supply voltage of 120 – 240 VAC

elitedali DALI Compact DIN Power Supply Datasheet

Specifications

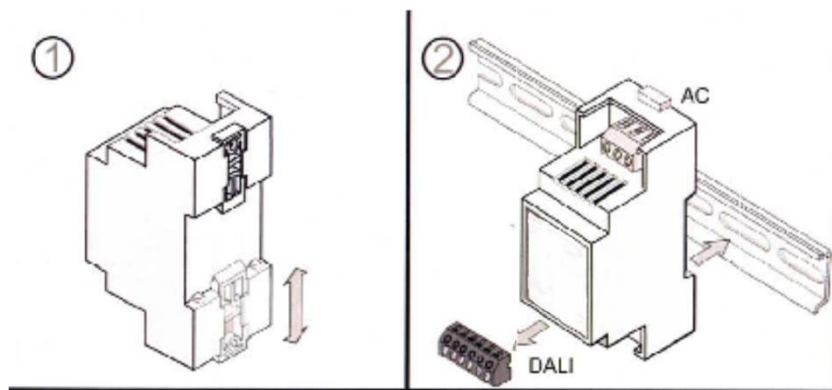
Technical Data – Dali Single Network Power Supply/ Electrical	
Mains Input Power	120 – 240 VAC, 50 – 60 Hz, 4W Max Load
Dali network output	16 VDC ±5% @ 230 mA (nominal)
Isolation	3KV
Technical Data – Serial Interface/ Environmental	
Operating temperature range	0..+50 °C
Storage temperature range	0...+70 °C
Relative humidity	0...90 % rel. annual average (non-condensing)
Environmental protection	IP 20 (housing)
Connections	
Mains Power	screw terminals, 0.2...2.5 mm ² (stranded), 0.2...4.0 mm ² (solid)
DALI network	0.5 mm ² - 1.5 mm ² stranded or solid core

Dimensions



elitedali DALI Compact DIN Power Supply Datasheet

DALI Power Supply Mounting Advice



We cannot provide precise mounting recommendations to installers, as we cannot anticipate every application or site condition.

However this datasheet presents, graphically above, the orientation in a pictorial way to indicate installation requirements of this unit.

These products should be installed into enclosures using what is generally considered good practice, and ensure that products which do generate heat are always mounted vertically to aid convection cooling (din rail horizontally) and spaced appropriately to avoid heat build-up from adjacent units.

Consideration should also be given to the type of enclosure used, to ensure maximum temperature ratings are not exceeded.

elitedali DALI Compact DIN Power Supply Datasheet

Order Details

Description:

elitedali DALI Compact DIN Power Supply

Part No:

elitedali.PSCDALIPSU

Additional **elitedali** compatible DALI products are also available, [click here](#) for more details.

Contact Details

Control Network Solutions Ltd

Studio 7, Intec 2, Intec Business Park, Wade Road
BASINGSTOKE,
Hampshire, RG24 8NE, England

Tel: +44 (0) 1256 818700
Fax: +44 (0) 1256 812520
Email: Sales@control-network-solutions.co.uk
Web: elitedali.com
Twitter: twitter.com/elitedali
LinkedIn: [elitedali for Niagara AX Group](#)

eLighting, **elitedali**, **eDIM**, **CeP**, *elitedali*, *CeP* and *eDIM* are the trademarks of Control Network Solutions lighting control family of products and solutions for Tridium's Niagara Framework platforms. Tridium, Niagara AX, Niagara4, JACE and Niagara AX Framework are the registered trademarks of Tridium Inc. DALI is the registered trademark of the DALI.ag.org Standards organisation.

No part of this publication may be reproduced or transmitted in any form or by any means, electronic, mechanical, photocopying, recording, in part or in whole, without written prior permission of Control Network. We reserve the right to make changes without notice to any products herein as part of its continued product development and improvements. We do not assume any liability arising out of the application or use of any product or circuit described herein.