

elitedali™ - for Niagara

smart lighting controls

www.elitedali.com

elitedali Ultra Compact MSensor Datasheet

Introduction

CNS's elitedali Ultra Compact MultiSensor combines presence detection with daylight measurement for DALI Open Standards intelligent lighting networks in a very compact package. This unit is manufactured by Tridonic AG and especially configured to work seamlessly with **CNS's elitedali Multidrop** Solutions for Niagara.



The DALI MultiSensor offers daylight-dependent control and presence detection. With its built-in intelligence it gives a DALI system the important ability to detect movement in a room and to measure the lighting levels. This information when used with **elitedali for Niagara** offers highly automated lighting control including constant light level or light harvesting maximising the use of natural light to minimise expense of energy to achieve required light levels.



The intelligent sensor connects to the DALI bus via polarity insensitive terminals.

Features

- ◆ Fully compatible for use with any DALI Ballast which conforms to current DALI Open Standards IEC 62386
- ◆ Seamless connectivity, commissioning, control, management and analytics via **CNS's elitedali** solutions for Niagara
- ◆ Powered directly from the DALI network and simple fitting and wiring to DALI network
- ◆ Ultra-compact package
- ◆ Detects presence, absence and light level
- ◆ Measures light levels calibrated to be accurate within 2%
- ◆ CE, RoHS

elitedali Ultra Compact MSensor Datasheet

Specifications

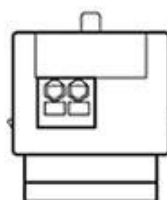
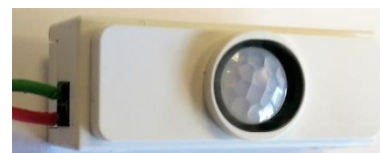
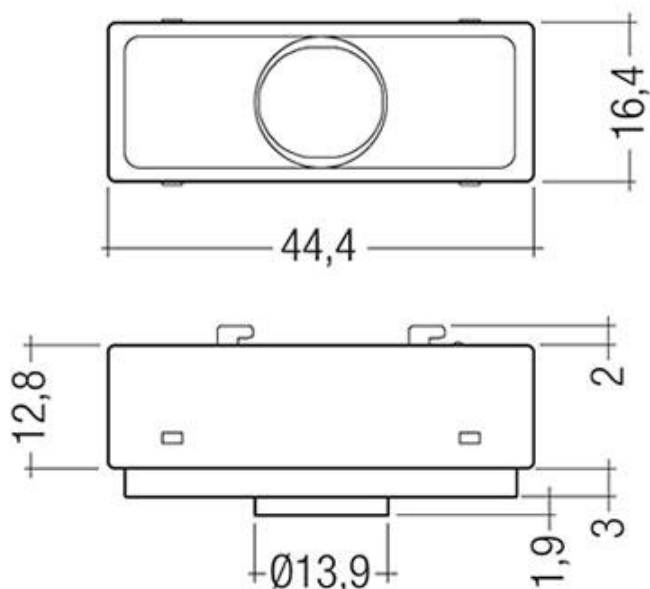
Type			Ultra-compact
Part number:			elitedali.TMSen/05
Power supply:	Via the DALI bus	mA	6
Detection:	Detection range, mounted at a height of 2.5 m	Øm	4
	Increase in detection area at 2.5 m mounting	m	cannot be swivelled
	Swivel range	°	–
	Detection angle	°	360
	Light measurement at the sensor head *	lx	10–650
Ambient conditions:	Operating temperature	°C	0... +50
	Type of protection	–	IP20
Storage conditions:	Storage temperature	°C	-25...+55

①The measured value on the sensor head is equivalent to approximately 15 to 2,000 lux on the reference surface

elitedali Ultra Compact MSensor Datasheet

Product has been developed in accordance with, EN 61547, EN 61347-1, EN 61347-2-11, EN 55015, EN 62386-101, EN 62386-102

Mechanical - Ultra-compact MultiSensor Package



Note: All dimensions are in millimetres.

Approvals -



User Information

The **elitedali MultiSensor** combines a passive infra-red presence detector, daylight (photocell) sensor. The operation of each of the two "sensors" is handled through the elitedali for Niagara system software.

Order Details

Description:

elitedali-MSensor Ultra-Compact.....

Part No:

elitedali.TMSen/05

elitedali Ultra Compact MSensor Datasheet

Licensing Options

The MSensor is a licensed option so it is **important** that when advising CNS of how many **elitedali** Connectivity Kits are required to be licensed to a suitable Niagara platform that at the same time **CNS is advised of how many MSensor units need to be licensed to each Niagara platform.**

Additional **elitedali** compatible DALI products are also available, [click here](#) for more details.

Contact Details

Control Network Solutions Ltd

Studio 7, Intec 2, Intec Business Park, Wade Road
BASINGSTOKE,
Hampshire, RG24 8NE, England

Tel: +44 (0) 1256 818700
Fax: +44 (0) 1256 812520
Email: Sales@control-network-solutions.co.uk
Web: elitedali.com
Twitter: twitter.com/elitedali
LinkedIn: [elitedali for Niagara AX Group](#)

eLighting, **elitedali**, **eDIM**, **CeP**, elitedali , CeP and eDIM are the trademarks of Control Network Solutions lighting control family of products and solutions for Tridium's Niagara Framework platforms. Tridium, Niagara AX, Niagara4, JACE and Niagara AX Framework are the registered trademarks of Tridium Inc. DALI is the registered trademark of the DALI.ag.org Standards organisation.

No part of this publication may be reproduced or transmitted in any form or by any means, electronic, mechanical, photocopying, recording, in part or in whole, without written prior permission of Control Network. We reserve the right to make changes without notice to any products herein as part of its continued product development and improvements. We do not assume any liability arising out of the application or use of any product or circuit described herein.