

# elitedali™ - for Niagara

smart lighting controls

[www.elitedali.com](http://www.elitedali.com)

## elitedali 24V DALI Power Supply Datasheet

### Introduction

CNS continues to work with all open standards DALI product manufacturers to ensure the widest range of DALI products is available to our **Certified elitedali Partners (CeP™)** that are guaranteed for use with **elitedali for Niagara** solutions.

This compact DIN mounted power supply is manufactured by one of the many emerging new DALI product manufacturers. It is fully compatible with the DALI Open standards specification and is designed to provide the maximum power allowable on a single DALI network of, 250mA.



### Features

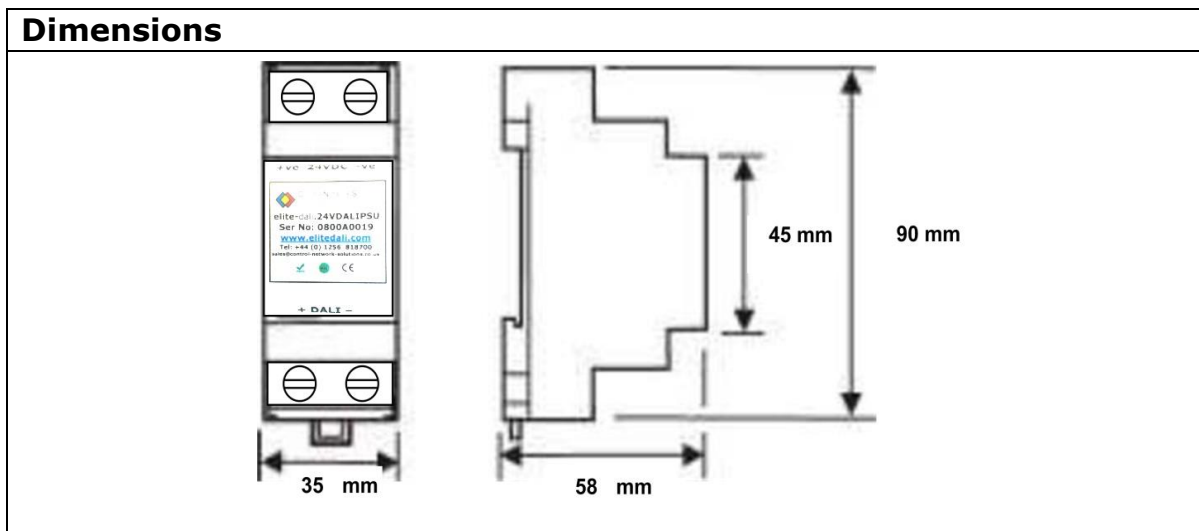
- ◆ Supplies a maximum of 250 mA at 17 VDC to a single DALI network
- ◆ Short circuit protected
- ◆ Over temperature protected
- ◆ Compact DIN rail mounted
- ◆ Compact design only 35mm, 1.4" wide
- ◆ Status LED for DALI Bus power and data traffic
- ◆ Input power supply voltage of 24 VDC

## elitedali 24V DALI Power Supply Datasheet

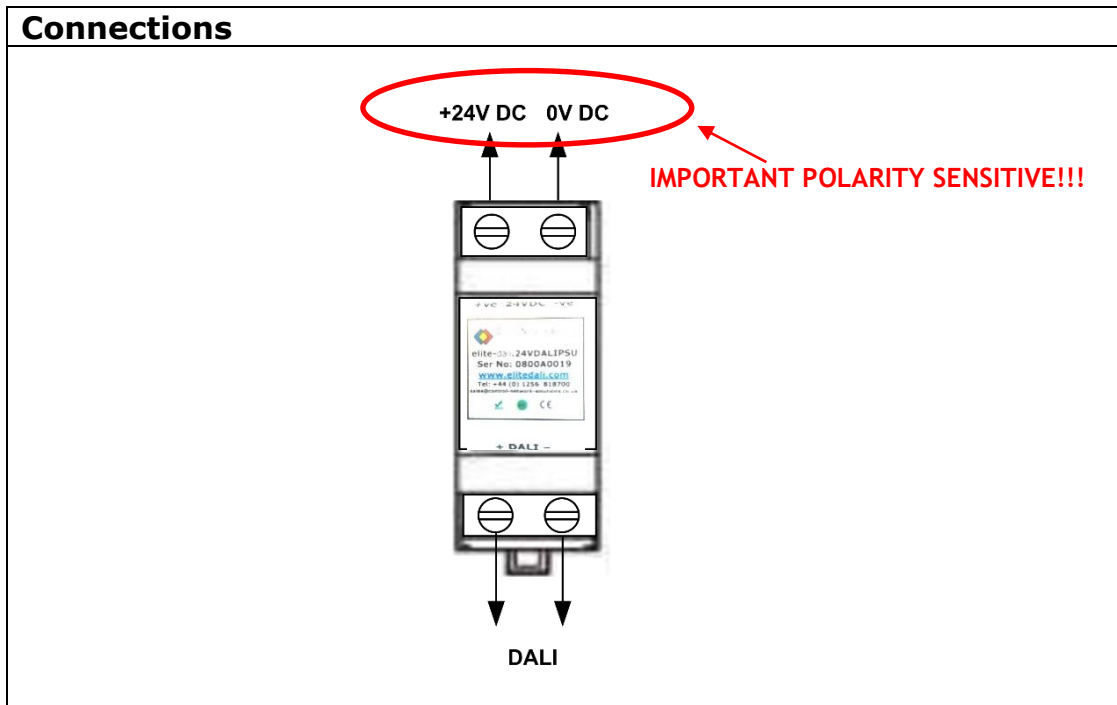
### Specifications

Technical Data – DALI Single Network Power Supply/ Electrical	
Input Power	24 VDC $\pm$ 10% Regulated, 300mA
Protection	Internal 1 A fuse
Dali network output	17 V, current limited at typ. 230 mA, max. 250 mA
Technical Data – Environmental	
Operating temperature range	0..+40 °C
Storage temperature range	-10...+70 °C
Relative humidity	0...90 % rel. annual average (non-condensing)
Environmental protection	IP 20 (housing)
Weight	55g
Connections	
Input Power	screw terminals, 0.14...1.5 mm <sup>2</sup> (stranded), 0.14...2.5 mm <sup>2</sup> (solid)
DALI network	screw terminals, 0.14...1.5 mm <sup>2</sup> (stranded), 0.14...2.5 mm <sup>2</sup> (solid)
Screw Terminal Torque settings	0.45 Nm (UL) 0.5 Nm (VDE)

### Dimensions



## elitedali 24V DALI Power Supply Datasheet



Conformity & Standards	
Emission	EN 55015
Immunity	EN 61547
Safety	EN 60 950
FCC	FCC 15

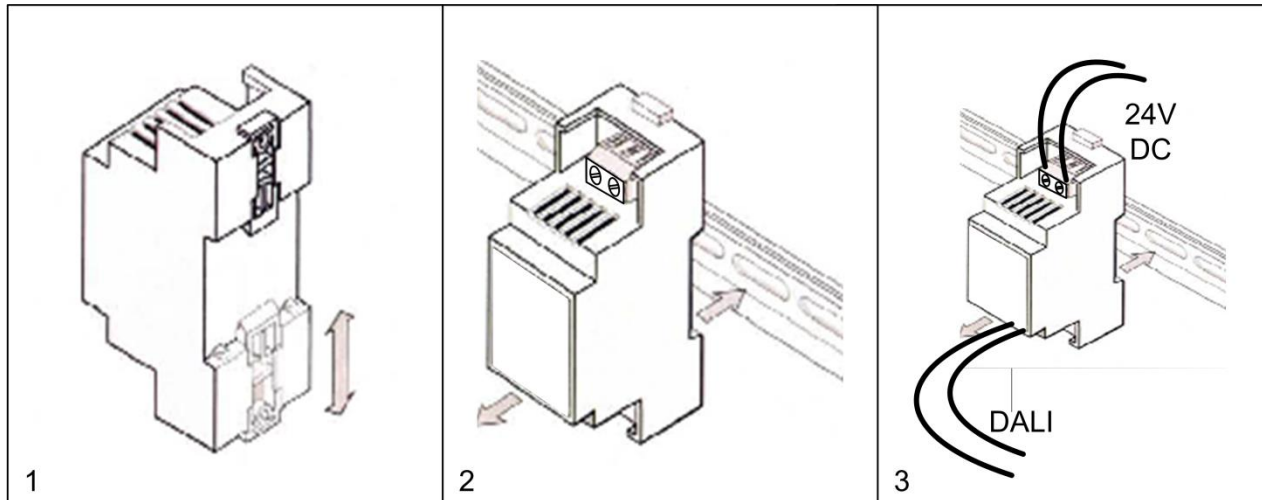
### DALI Power Supply Installation

**IMPORTANT: 24VDC Connections to DALI power supply are **POLARITY SENSITIVE!****

External regulated 24V DC power supply required.

## elitedali 24V DALI Power Supply Datasheet

### DALI Power Supply Mounting Advice



We cannot provide precise mounting recommendations to installers, as we cannot anticipate every application or site condition.

However this datasheet presents graphically above the orientation in a pictorial way to indicate installation requirements of this unit.

These products should be installed into enclosures using what is generally considered good practice, and ensure that products which do generate heat are always mounted vertically to aid convection cooling (din rail horizontally) and spaced appropriately to avoid heat build-up from adjacent units.

This should also include the type of enclosure used with due consideration to ensure maximum temperature ratings are not exceeded.

### Order Details

**Description:**

**24V DC DALI Power Supply**

**Part No:**

**elitedali.24VDALIPSU**

Additional **elitedali** compatible DALI products are also available, [click here](#) for more details.

## elitedali 24V DALI Power Supply Datasheet

### Contact Details

#### Control Network Solutions Ltd

Studio 7, Intec 2, Intec Business Park, Wade Road  
BASINGSTOKE,  
Hampshire, RG24 8NE, England

Tel: +44 (0) 1256 818700  
Fax: +44 (0) 1256 812520  
Email: [Sales@control-network-solutions.co.uk](mailto:Sales@control-network-solutions.co.uk)  
Web: [elitedali.com](http://elitedali.com)  
Twitter: [twitter.com/elitedali](https://twitter.com/elitedali)  
LinkedIn: [elitedali for Niagara AX Group](https://www.linkedin.com/company/elitedali-for-niagara-ax-group)

*eLighting*, **elitedali**, **eDIM**, **CeP**, *elitedali*, *CeP* and *eDIM* are the trademarks of Control Network Solutions lighting control family of products and solutions for Tridium's Niagara Framework platforms. Tridium, Niagara AX, Niagara4, JACE and Niagara AX Framework are the registered trademarks of Tridium Inc. DALI is the registered trademark of the DALI.ag.org Standards organisation.

No part of this publication may be reproduced or transmitted in any form or by any means, electronic, mechanical, photocopying, recording, in part or in whole, without written prior permission of Control Network. We reserve the right to make changes without notice to any products herein as part of its continued product development and improvements. We do not assume any liability arising out of the application or use of any product or circuit described herein.